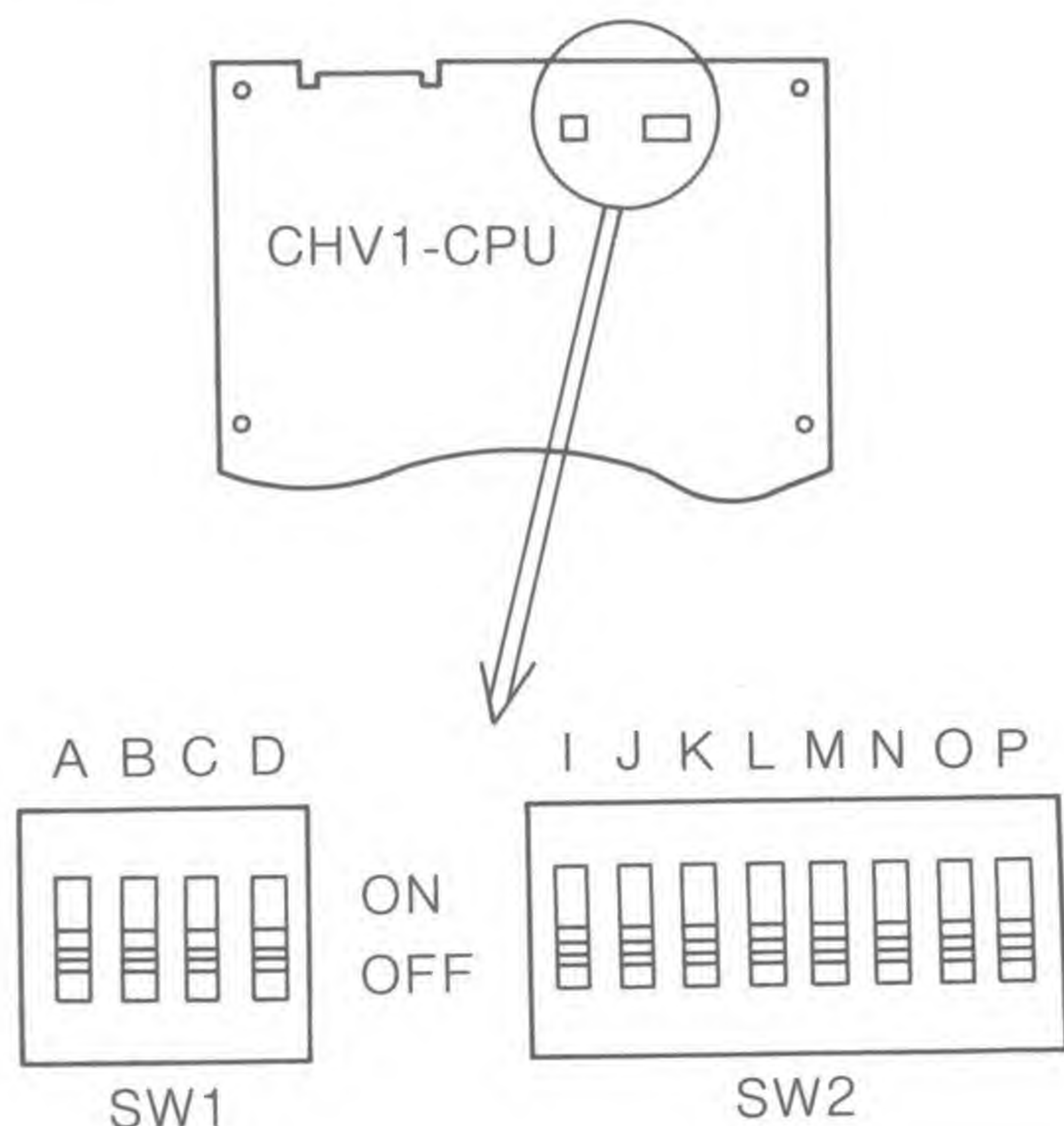


ADJUSTMENTS

CHV1-UP-US

1. Option Switch Settings

You can set Game Price, Game Difficulty, Rematch Setting, and Self-Test on the Game PCB.



Game Price Settings

Play/coin	Toggle Settings				
	SW1				SW2
	A	B	C	D	N
1/6	OFF	OFF	OFF	ON	OFF
2/5	OFF	ON	OFF	OFF	ON
1/5	OFF	OFF	ON	OFF	OFF
5/4	ON	OFF	OFF	OFF	ON
3/4	ON	OFF	ON	ON	ON
1/4	ON	ON	OFF	OFF	OFF
5/3	OFF	OFF	OFF	OFF	ON
4/3	OFF	ON	ON	ON	OFF
2/3	ON	OFF	OFF	ON	OFF
1/3	OFF	OFF	ON	ON	OFF
5/2	ON	OFF	ON	ON	OFF
3/2	ON	ON	OFF	ON	OFF
1/2	ON	OFF	OFF	OFF	OFF
1/1	OFF	OFF	OFF	OFF	OFF
2/1	OFF	ON	OFF	OFF	OFF
3/1	ON	OFF	ON	OFF	OFF
4/1	OFF	ON	ON	OFF	OFF
5/1	OFF	ON	OFF	ON	OFF
6/1	ON	ON	ON	OFF	OFF
Freeplay	ON	ON	ON	ON	OFF

Game Option Settings

	Toggle (SW2) Settings					
	I	J	K	L	M	O P
Game Difficulty						
Easy (0)	OFF	OFF				
(1)	ON	OFF				
↓ (2)	OFF	ON				
Hard (3)	ON	ON				
7 Rematches Allowed						OFF
3 Rematches Allowed						ON
Self-Test/Game						
Game (0)						OFF
Self-Test (1)						ON

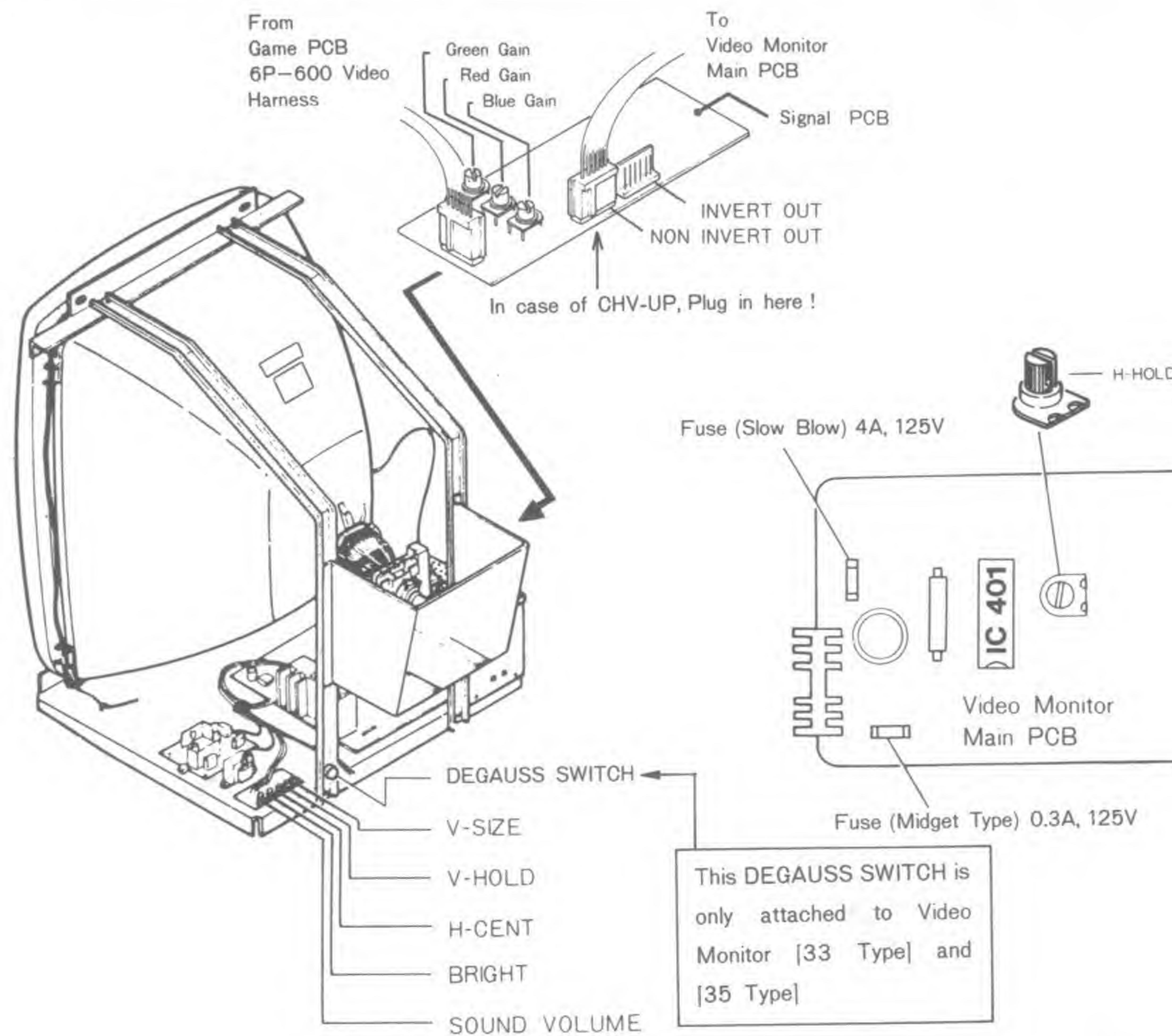
CAUTIONS

- Turn the power off before exchanging and removing the PCB and connectors.
- Do not touch IC, LSI and other electronic parts on PCB. Do not use a tester or the like on them.
- PCB to be stored or transported should be wrapped by a conductive pouch or aluminum foil.
- PCB should not be exposed direct to the sun.
- When soldering, use soldering iron of which end is grounded.

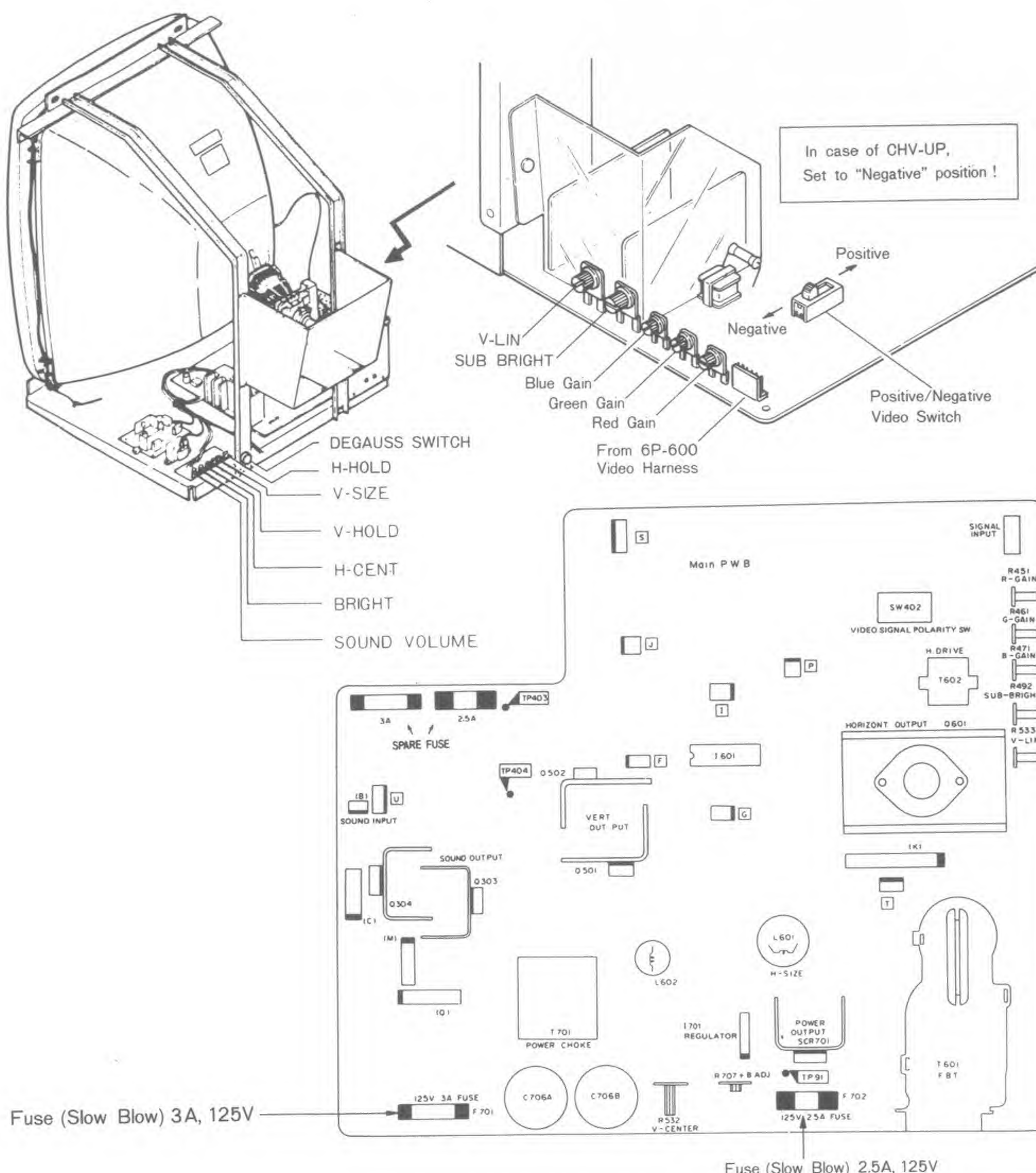
2. Video Monitor

This game uses one of four types of Video Monitors which are different in appearance but identical in function. The four types can be interchanged.

- (a) Video Monitor : [32 Type] 20-EZV(R-C)
- (b) Video Monitor : [33 Type] 20-EZV(R-C)
- (c) Video Monitor : [35 Type] 20-Z2AW



- (d) Video Monitor : [Y51 Type] XM-2001N



WARNING

The Video Monitor contains HIGH VOLTAGE capable of delivering LETHAL quantities of energy. TO AVOID DANGER TO LIFE, don't attempt to service the chassis until all precautions necessary for working on HIGH VOLTAGE equipment have been observed.